



Experience Better Living



Discover the perfect blend of warmth & beauty with the **Vista**



## Introducing Vista a new generation of Opti-V electric fires from Dimplex offering a stunning authentic experience equal to that of a real fire.

Opti-V is the first and original virtual flame technology, patented by Dimplex. This stunningly realistic fire experience requires no maintenance and delivers a flame image equal to that of a traditional fire, with no emissions and in total safety. It delivers a virtually perfect flame effect through a magic combination of High Definition video and LEDs. Vista is the ideal combination of ambience and warmth due to the integrated heating option offering upto 2kW of heat. The flame effect can be used without the heat allowing you to enjoy your fire all year round. Discover the perfect blend of warmth and beauty providing an unrivalled flame experience like no other. With a choice of a 1 or 3-sided model, the slim and elegant design of the Vista effortlessly creates a stylish aesthetic to any space.



Opti-V flame technology – the first virtual flame technology on the market, patented by Dimplex



Using an LCD screen in combination with pepper ghost effect for a magical realistic flame effect.



Flame effect only - enjoy the ambience of the flickering flame effect any time without the heat.



Slim profile for easy installation with large viewing window for immersive fire experience.



Offering up to 2kW of heat via an integrated heater with thermostatic control.



Maintains the desired room temperature by automatically switching on and off the heater.



Comes with a realistic LED glowing log effect fuel bed.



Remote control - controlling all functions of the fire.



Real flame crackling sound with volume control.



Choice of 1 or 3-sided option.



Efficient low energy and long-lasting LED bulbs



24-hour timer.







Feel the beauty of the Vista



**Disclaimer** - At Dimplex our policy is one of continuous improvement; the Company therefore reserves the right to alter specifications without notice. Although every care has been taken in the reproduction of product finishes in this brochure, the colour photographs and the flame effects should be taken only as a guide. Though accurate at the time of printing, this brochure is not intended to replace any installation manuals which provide more detailed information.

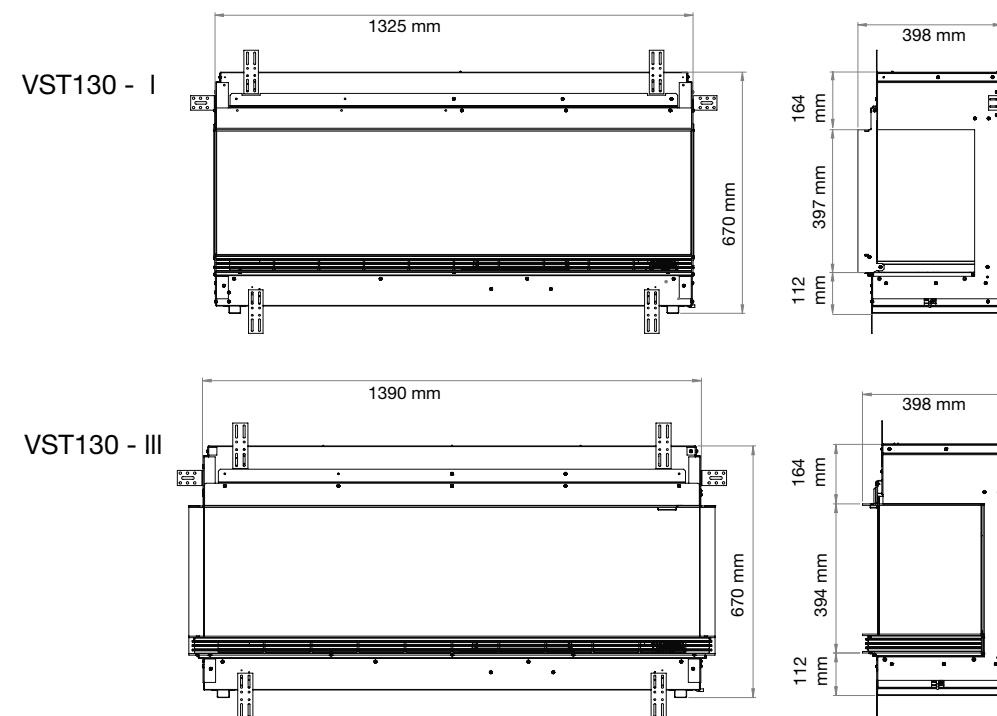


## Technical details

Experience Better Living

	Vista 130 I	Vista 130 III
Product Type	Built-in	Built-in
Flame Effect	Opti-V®	Opti-V®
Model Ref	VST130-I	VST130-III
Model Number	400001670	400001671
Bar Code	5011139087812	5011139087829
Warranty	2 years	2 years
Heat Output	2kW	2kW
Wattage	2000	2000
Voltage	230V/50Hz	230V/50Hz
Thermostat	Yes	Yes
Power consumption (flame effect)	70W	70W
Manual Controls	No	No
Remote Control	Yes	Yes
View Type	1-sided	3-sided
Lighting Module	LED	LED
Media Bed Flame Colours	No	No
Fuel Bed Supplied	Logs	Logs
Sound	Yes	Yes
Kettle (IEC) Lead	Yes	Yes
Power Cord Length	1.5m	1.5m
Unpacked Weight	70.5kg	74kg
Finish/Colour	Black	Black
Flame effect only	Yes	Yes
Safety Cut Out	Yes	Yes
Timer	24hr/7 Day	24hr/7 Day

## Product Dimensions



Glen Dimplex Benelux BV  
Saturnus 8  
8448 CC Heerenveen

PO Box 219  
NL-8440 AE Heerenveen

T. +31(0)513 656500  
E. info@dimplexfires.com

[www.dimplexfires.com](http://www.dimplexfires.com)



@dimplexfires